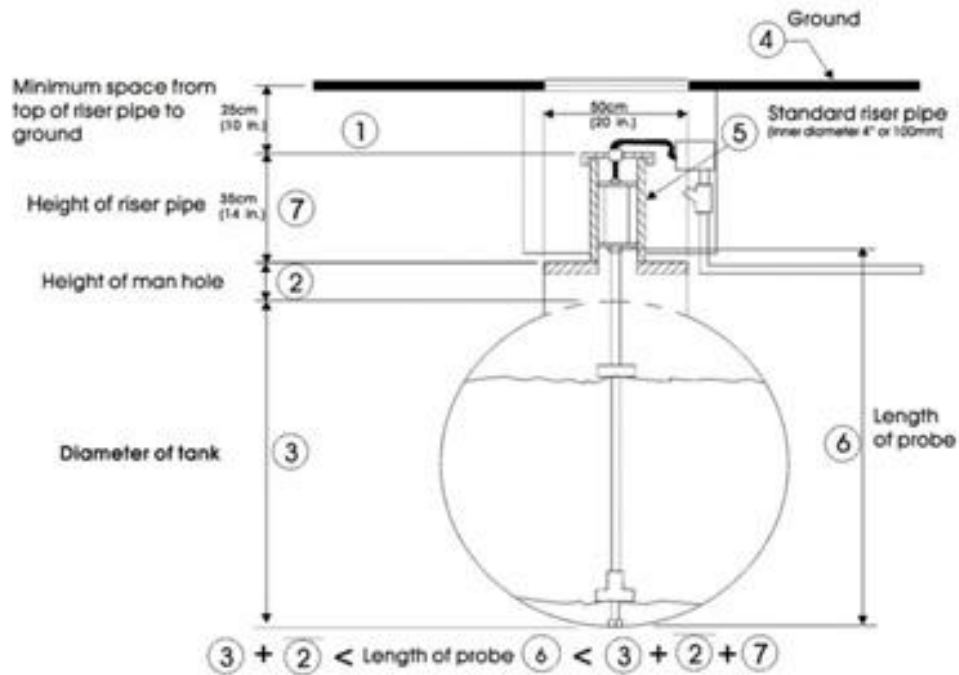


## How to choose the right probe length for my tank?

- You should know the height of tank, manhole (if have) and riser pipe.
- The tank level gauge probe length usually we called is only probe rod length, not include probe head.
- ✓ The calculation formula is as follows:
- ◇  $\text{tank diameter} + \text{manhole height} < \text{probe length} < \text{tank diameter} + \text{manhole height} + \text{riser pipe}$



Please tell us the diameter of tank, the height of manhole, the height of riser pipe to choose probe length.