

## SP300

### Magnetostrictive Probe



Windbell SP series magnetostrictive tank level probe can accurately measure the product level, water level and temperature of tank, and transmit data to console in real time. It consists of floater kits, measuring rod and 316L protection tube, probe head and communication cable.

Used for automatic tank gauging of underground or/and aboveground storage tanks, and widely installed in petrol stations and oil depots.



#### Applied medium

- Gasoline
- Diesel
- Kerosene
- Ethanol gasoline
- Methanol gasoline
- Bio diesel
- Light oil
- Water
- Chemical

#### Certificate



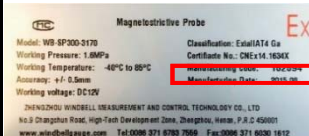
#### Features

- Real time data transmission
- Measure fuel liquid level and water level (if have) at the same time
- 5 temperature sensors distributed on probe
- Intrinsically safety, used in Class 0
- RS485 communication port
- Digital signal transition, high anti-interruption ability
- Maximum communication distance 1200m.
- High precision as 0.5mm and resolution as 0.01mm.
- 316L stainless steel ensures longer lifetime in most petroleum products
- 2" floater kits
- Easy to install
- Maintenance free
- Working reliable
- IP67 protection grade
- ATEX and GOST approved
- Length customized
- Reliable performance and environment adaptability, could be normally working

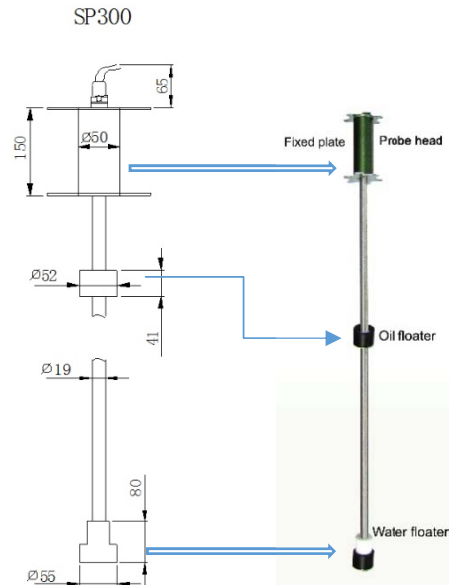


### Technical Parameter

Power supply	DC12V, 50mA
Precision	±0.5mm
Repeatability	±0.2mm
Resolution of product level	0.01mm
Resolution of temperature	0.0625°C
Resolution of water	0.01mm
Operating temperature range	-40°C ~ 60°C (-40 to 140°F)
Temperature sensor	5
Maximum comm. distance	1200m
Communication	RS485
Intrinsic safety parameter	Power port: $U_i = 15V$ , $I_i = 400mA$ , $P_i = 1.5W$ , $C_i = 4.85\mu F$ , $L_i = 0$ ;
	Signal port: $U_i = 7.14V$ , $I_i = 147mA$ , $P_i = 0.26W$ , $C_i = 50\mu F$ , $L_i = 0$ ;
Mark of explosion proof	Ex ia II AT4 Ga
Protection grade	IP67
Installation	Flange and riser pipe
Associated apparatus	Windbell GSB03 safety barrier
Definition of power cable	BLUE – Power+ BROWN – RS485A WHITE –RS485B BLACK – Power -
Communication address	6 digits, please see “Manufacturing Code” on nameplate of probe, it is also Probe ID.



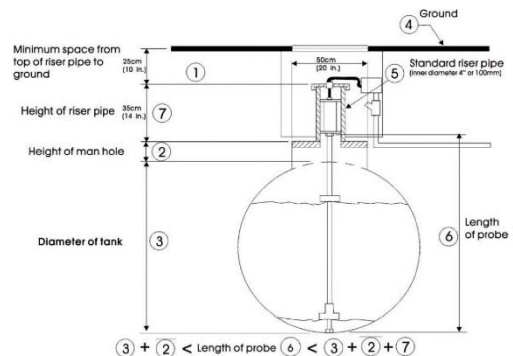
### Probe size



### Options

- Stainless steel floater kits
- 3" Installation kits

### How to choose suitable probe for your tank?



Please tell us the diameter of tank, the height of manhole, the height of riser pipe to choose probe length.

Windbell can help you on this based on the Tanks information here below: (unit in mm)

Tank height	2500	
Manhole height	100	
Riser pipe height	350	
Qty.	1	
Probe height	2670	