

WT-LLD-T

Double-wall pipe Leak sensor

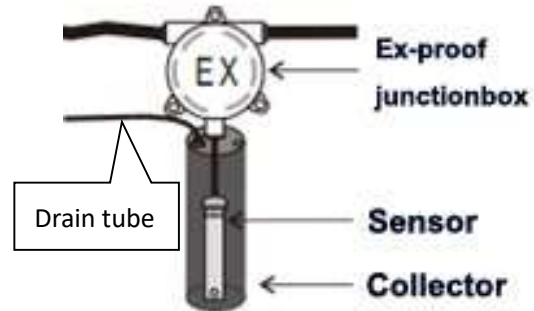


WT-LLD-T liquid leak sensor, can be used for leak detection of double-wall pipes. The sensor can identify leakage of oil and water, if any oil or water penetrate into space, it will be detected by sensor in short time and automatic alarm. This sensor is optoelectronic type leak sensor, high accuracy and reliable performance, strong ability to anti-external disturbance. Both of oil and water can be detected by this sensor, so to ensure safety of the oil storage system in an all-round way, and protect environment.



The connection between leak sensor and console is RS485 bus, it is very easy for wiring; and adopts standard MODBUS

communication protocol. The wiring and circuit of sensor is intrinsic design, can be safely used at Explosive and flammable area.



Features and benefits

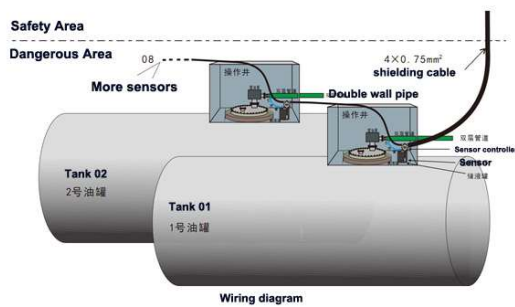
- Sensor adopts principle of Optoelectronic, more sensitive and have high accuracy.
- Intrinsic design overall, safe used at class 0 division 0
- Sensor can detect the leakage both of oil and water, to provide a basis for judging whether the inner wall or the outer wall has a leakage;
- Input voltage range is wide, all digital design, strong anti-interference ability;
- Convenient installation and adjustment
- Standard cable length is 3.2m.
- Adopting RS485 bus communication and MODBUS RTU communication protocol, the terminal can be connected both in series, flexible wiring, and communication distance can up to 600 meters if the wiring is in series
- Self-check disconnection fault. If the sensor has a disconnection failure, it can give a fault signal to console.
- Bus interface adopts lightning protection design, to protect equipment safety

Technical parameter

- Power supply: Dc12V
- Operating current: <20mA
- Working temperature: -40°C~ +60°C
- Response time: <2s
- Accuracy: <3mm
- Explosive-proof grade: Ex ia IIC T4 Ga

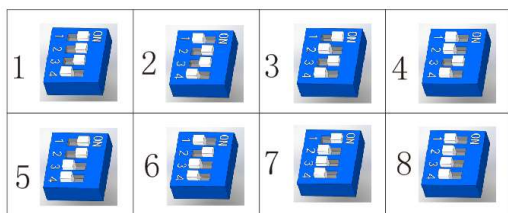
3. System installation

Field wiring diagram of WT-LLD-T double wall pipe leak sensor

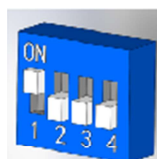


Sensors can be connected in series according to the assigned address, see the following diagram.

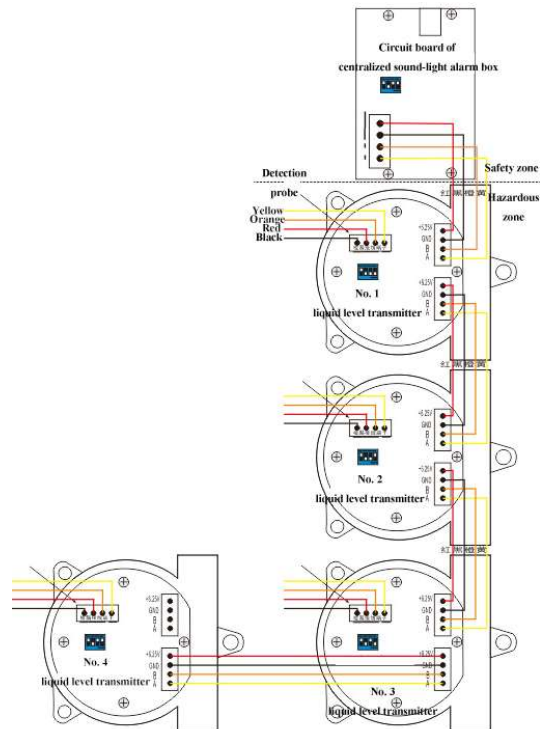
Operation instructions of dial switch address setting are as follows:



The Number is the leak sensor address in console, and has accordingly dial switch style. For example, if the leak sensor is 7 in console, its dial switch should like this.



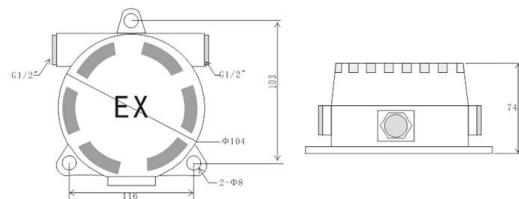
Electrical connection diagram



Notes

- Clean wiring and good connection
- After wiring, screw cable lock tightly, to prevent cable loosening;
- Each wire shall be provided with a unique identifier for identification and detection.

Installation of the WT-LLD-T double wall tank leak sensor



WINDBELL Measurement and control
No.9 Changchun Road, High-Tech
Development Zone, Zhengzhou, China

Tel: +86 371 6030 1609;

Fax: +86 371 6030 1612

sales@windbelltek.com

www.windbellgauge.com

October 2016